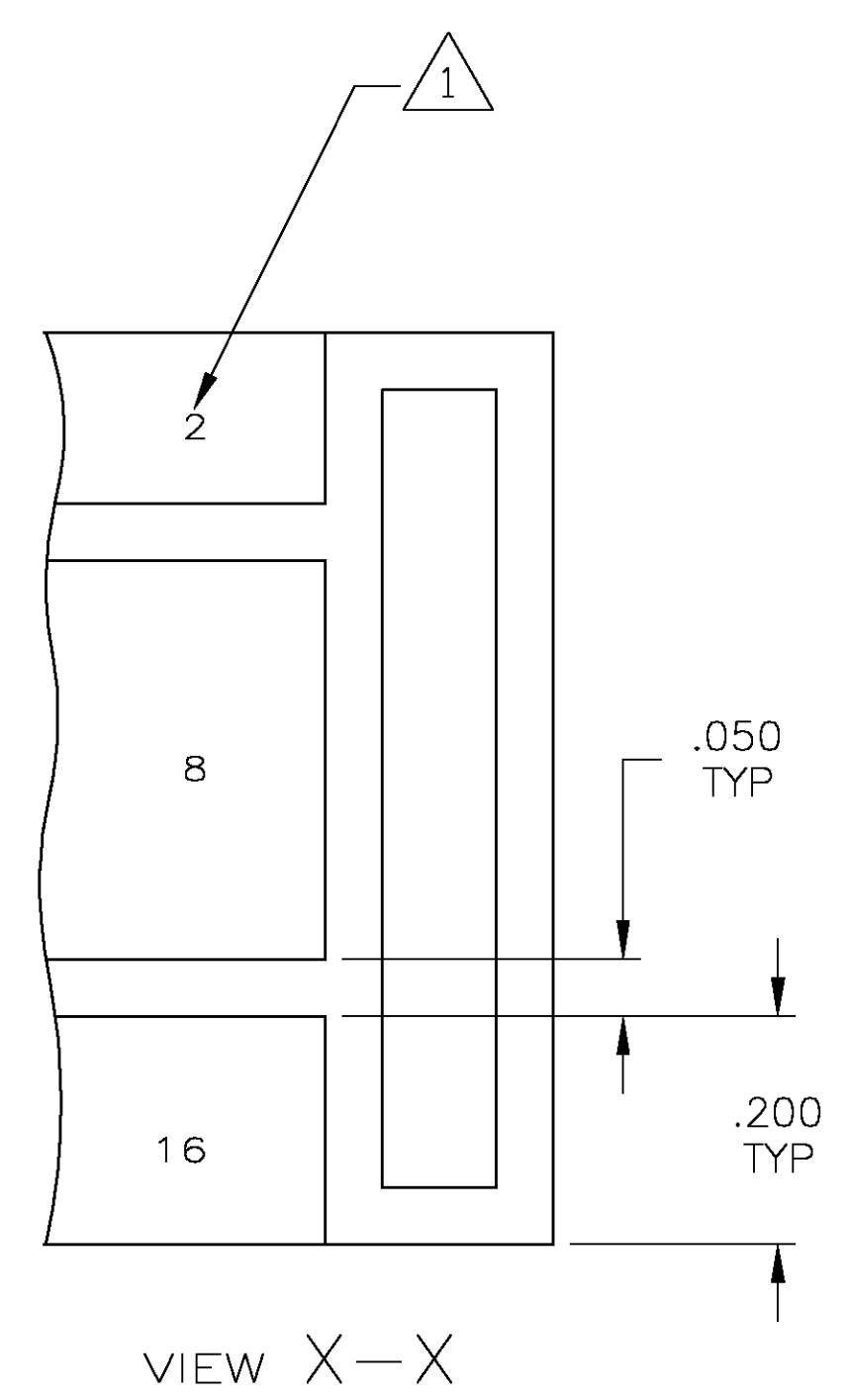
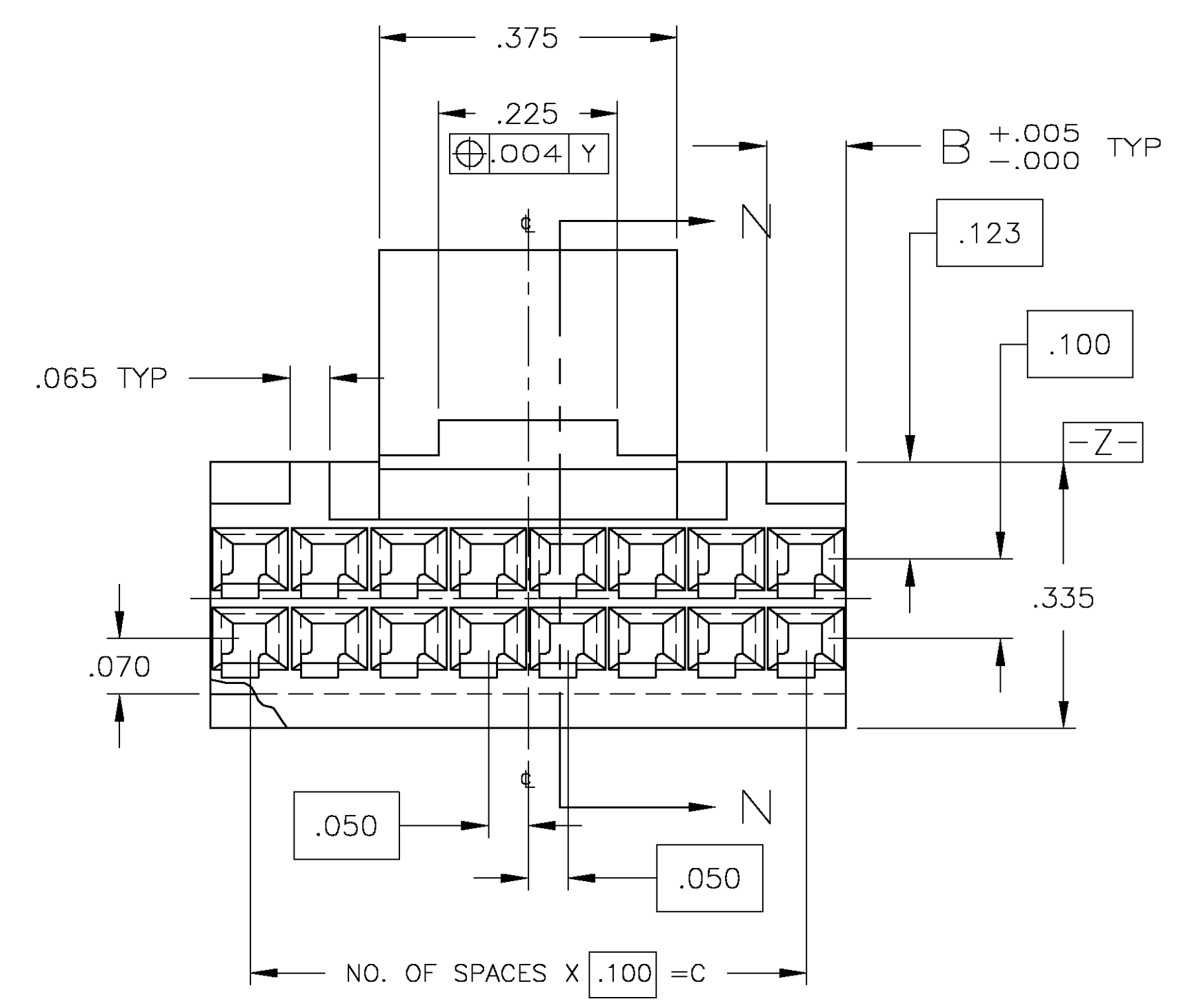
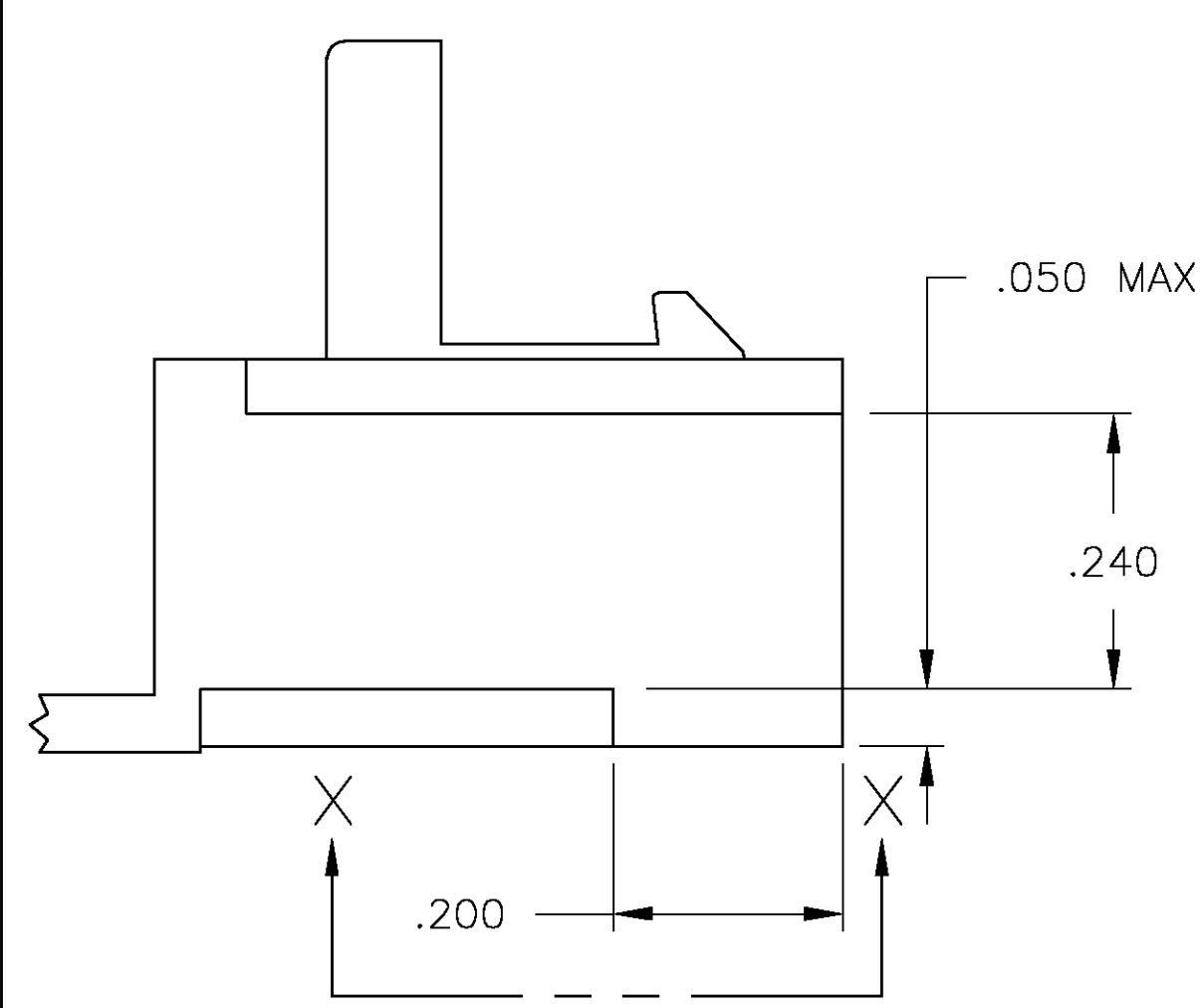


SECTION N-N
SCALE 6:1

- ① CAVITY ID'S AND AMP TRADEMARKS MOLDED IN AT LOCATIONS SHOWN. SEE CHART FOR CAVITY ID NOS.
- ② HOUSING: FLAME RETARDANT THERMOPLASTIC, COLOR-BLACK.



VIEW X-X



2,10,20	.900	.185	1.000	9	20	104422-2
2,8,16	.700	.085	.800	7	16	104422-1
CAVITY ID NOS	C	B	A	NO OF SPACES	NO OF POSN	ASSEMBLY PART NUMBER

THIS DRAWING IS A CONTROLLED DOCUMENT.

DW	D. NATION	10-19-88
CHK	C. OBERMAN	11-1-88
APVD		
NAME	AMP Tyco Electronics Corporation Harrisburg, PA 17105	
PRODUCT SPEC	HOUSING, MOD IV, DBL ROW, .100 X .100 C/L, WITH POLARIZATION & LATCH	
APPLICATION SPEC	SIZE	CAGE CODE DRAWING NO
	A1	00779 C=104422
MATERIAL	FINISH	WEIGHT
CUSTOMER DRAWING		SCALE 6:1 SHEET 1 OF 1 REV H